

**ATZ**

**Resilient Seated  
Gate Valve**

BS5163-A



---

# ATZ RESILIENT SEATED GATE VALVE NON RISING STEM

## BS5163-A NON RISING STEM

### EN1092 DOUBLE FLANGE CONNECTION

---

## Features:



NRS RSGV

- Design comply to EN1171 / EN1074 / BS5163
- Face to face lengths are to BS5163
- Flanges are drilled to EN 1092-2
- Pressure Rate: PN10/16
- Test: Body test 1.5 x PN, Seal test 1.1 x PN
- Coating: Fusion bonded epoxy coating
- Medium: Neutral water
- Temperature Range: 0°C - 80°C
- Clockwise closing (CWC) as standard
- Operation: Handwheel, Square cap, Gearbox, Electric actuator
- 100% water tightness
- Completely free and full bore, self cleaning & low pressure loss.
- Threads rolled in a separate cold pressing process to enhance strength, Standard material AISI-420 (X20C13)
- Rolled threads ensure smooth thread edges and low operating torques
- Bonnet bolts are in Carbon steel, sealed with hot melt to prevent corrosion.
- O-ring bonnet gasket wraps each bolt to prevent corrosion
- Wedge: Ductile iron fully encapsulated as standard by EPDM. Linear sealing design provides better sealing & lower closing torque.
- Wiper ring - prevent impurities from entering the stem and to protect o-rings
- The watertightness for the spindle is obtained with three o-rings stem seals. Two o-rings to reduce friction and prevent wear and tear, online replaceable under full pressure with valve fully opened; Third o-ring protects upper stem from impurities entering from the water way
- Coating - Electrostatically applied fusion bonded epoxy coating inside and outside for excellent corrosion resistance. Standard color similar to RAL 5005, other colors upon request.
- Designed and built to widely recognized international standards.
- 100% testing before packing and delivery

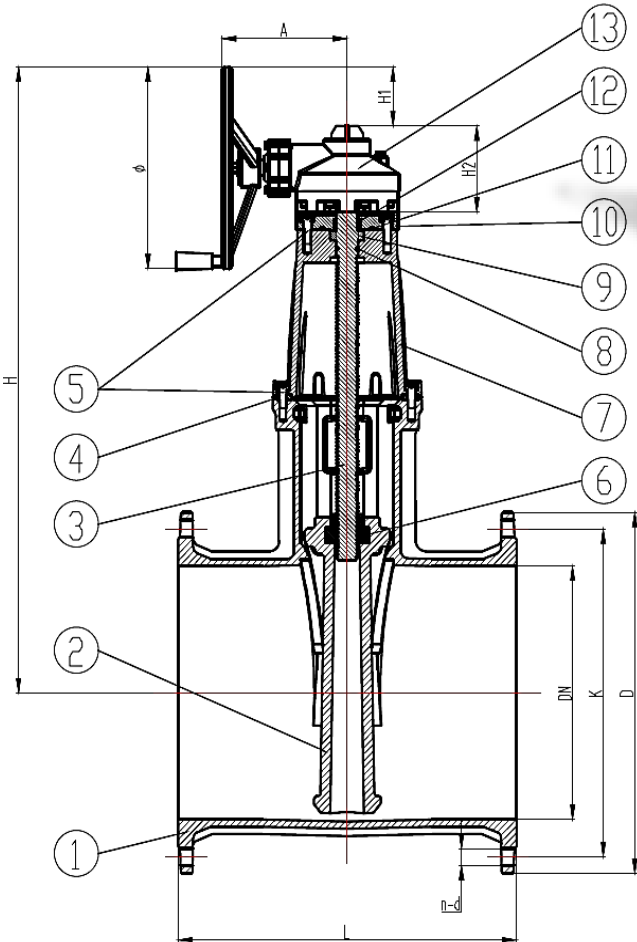




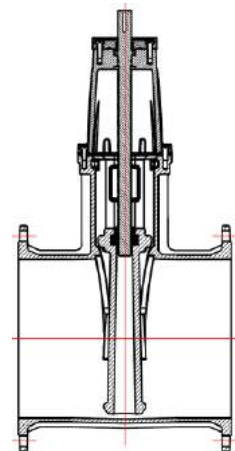
# ATZ RESILIENT SEATED GATE VALVE

## BS5163-A NON RISING STEM - BIG SIZES WITH GEARBOX

### EN1092 DOUBLE FLANGE CONNECTION



ITEM	PART NAME	MATERIAL
1	Body	GGG50
2	Disc	EPDM+DI
3	Stem	SS420
4	Bonnet Gasket	NBR
5	Bolts	Carbon steel
6	Thrust Nut	Brass
7	Bonnet	GGG50
8	O-Ring	NBR
9	Holding Ring	Brass
10	Gland	GGG50
11	O-Ring	NBR
12	O-Ring	NBR
13	Gear Box	Assembling Units



Size	L	END FLANGE (EN1092-2)			Gear type
	BS 5163	D	K	n-d	
DN350	381	505 / 520	460 / 470	16- $\Phi$ 23 / 16- $\Phi$ 31	BA-0
DN400	406	565 / 580	515 / 525	16- $\Phi$ 28 / 16- $\Phi$ 31	BA-0
DN450	432	615 / 640	565 / 585	20- $\Phi$ 28 / 20- $\Phi$ 31	BA-0
DN500	457	670 / 715	620 / 650	20- $\Phi$ 28 / 20- $\Phi$ 34	BA-0
DN600	508	780 / 840	725 / 770	20- $\Phi$ 31 / 20- $\Phi$ 37	BA-1